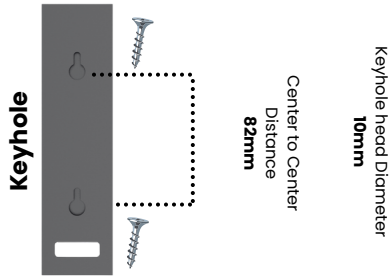
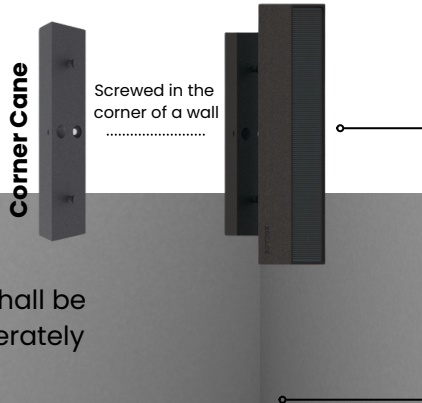


Rigging

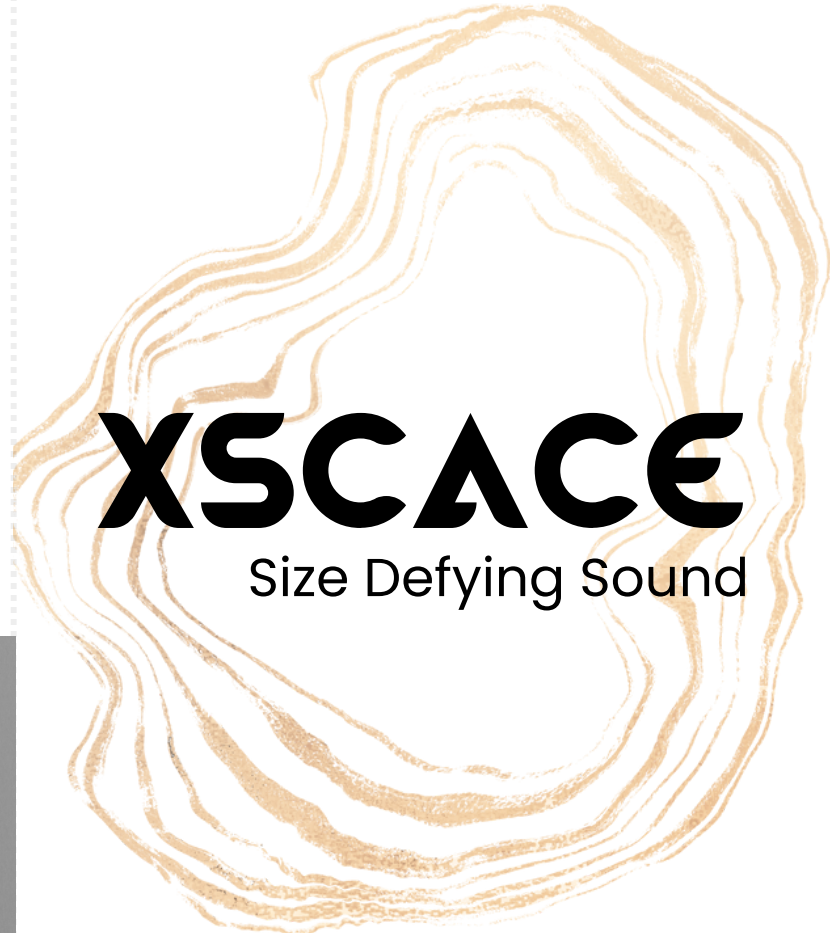
Rigging **Height** and **Distance** between speakers should be **6.5ft** or more



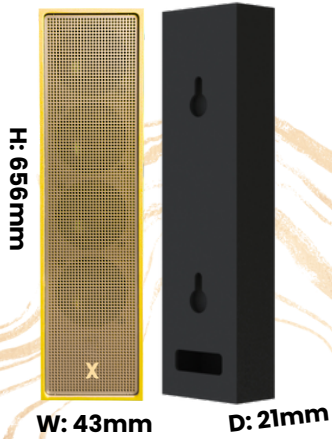
*Screw is In the Package



*Corner Cane shall be purchased seperately

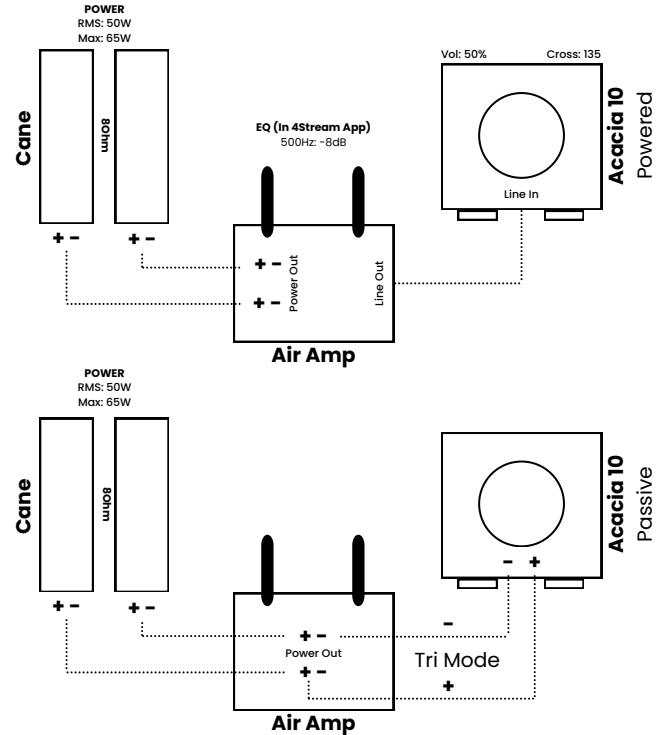


CANE



*Use only a soft, dry cloth to clean the housing. Do not use anything else.

Suggested Setups



Scan to get all setups & DSP Settings