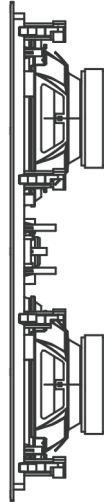
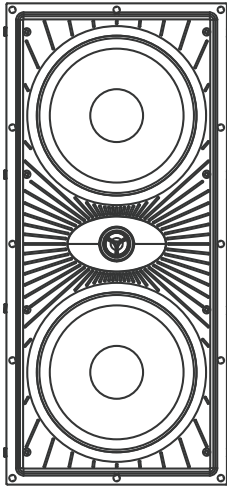
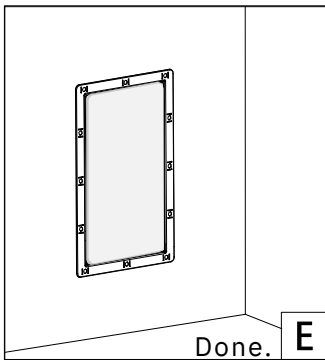
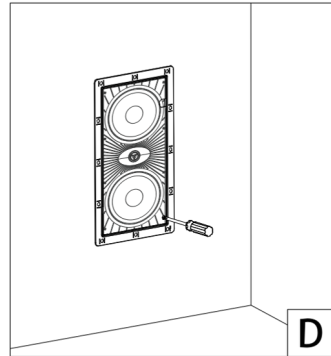
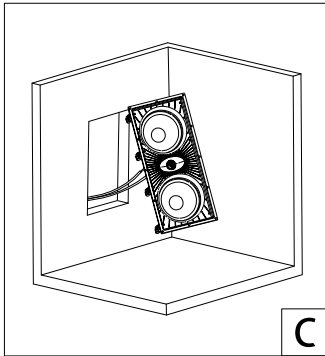
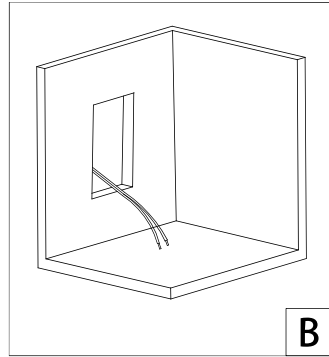
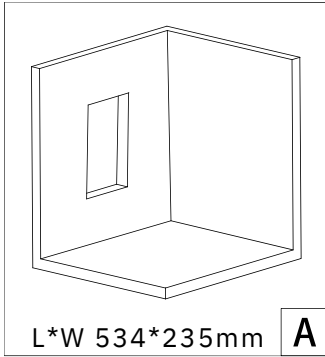


XSCACE

Owner's Manual



INSTALLATION



SPECIFICATION

Tweeter	1" Titanium dome
Woofers	8" *2 Graphite Cone, Rubber Surround
Frequency Range+/-3	43 Hz-20KHZ
Power Handling RMS	275W
Sensitivity	87dB±3dB
Impedance	8Ω
Termination	Standard pressed connector
Attachment	Cut-out template grille
Dimensions(H*D*W)	100*556*255mm
Cut Out Diameter	534*233 mm